

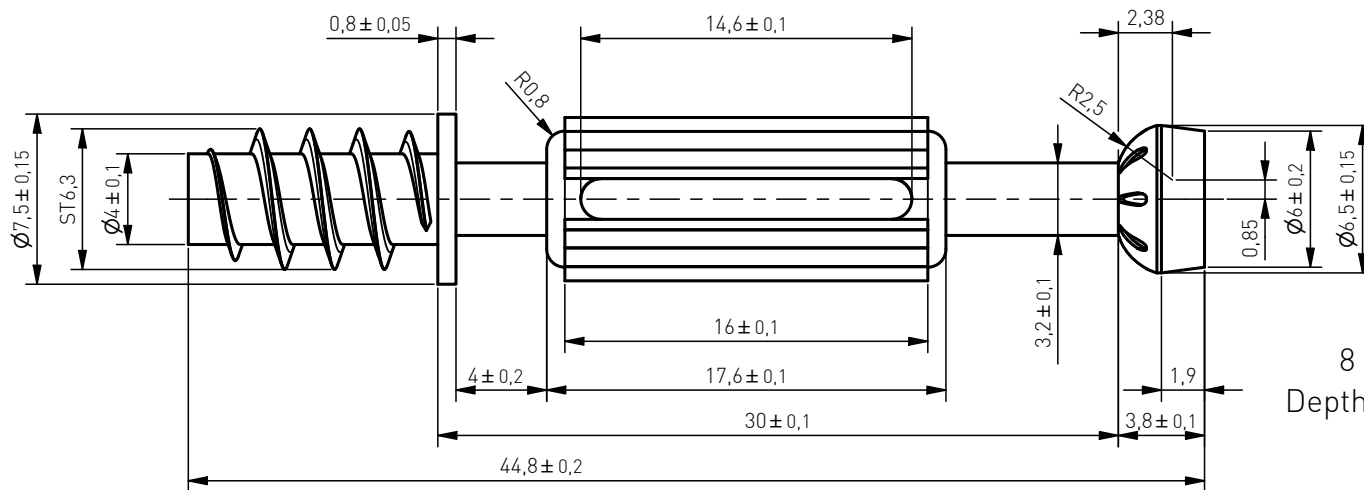
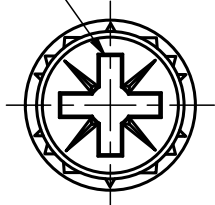
REVISION HISTORY

REV	DESCRIPTION	DATE	APPROVED
1	Dim. 3,5 0,2 changed to 4,0 0,2	2020.07.27	M.Sa ek

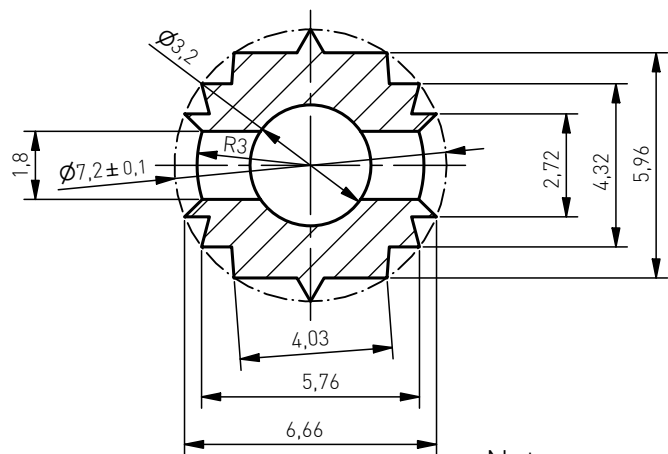
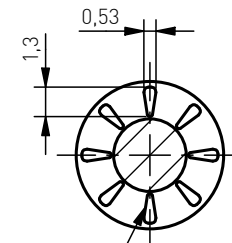


A-A (3:1)

Socket PZ2

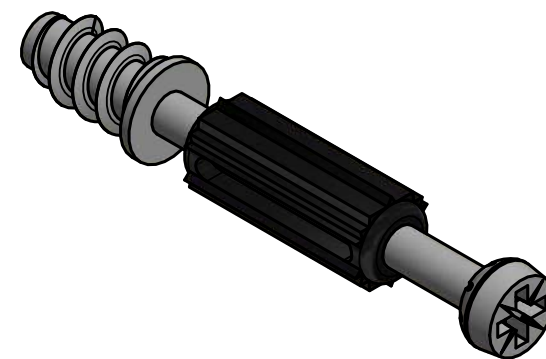


8 grooves  
Depth 0,5mm



Notes:  
Zinc coating, color white, thickness 5-8 m  
Pass 24h salt spray test

A



General tolerances for linear dimensions acc. to ISO 2768 m				
< 0,5 ≤ 3	< 3 ≤ 6	< 6 ≤ 30	< 30 ≤ 120	< 120 ≤ 400
±0,1	±0,1	±0,2	±0,3	±0,5

Date:	2019.12.23	Material:		Weight:	N/A
Drawn:	M.Sałek	Page/P. No	1 / 1	Scale:	3:1
Part No:	WK-DOW63X45B-D				
Name:	Dowel Pin 6,3x45				



GTV Asset Management Sp. z o.o.  
ul. Przejazdowa 21  
05-800 Pruszków